



POWER BATTERY



DRONE

LET THE POSITIVE
ENERGIES
FLOW

HONOURING COMMITMENT IS MY HONOUR

Batteries

Electric Vehicles

Electric Vehicle Battery Lithium-Ion Pack for EV

MODEL NO	FEP48.1-100
WEIGHT	32Kg
DIMENSIONS	360 X250 X 200 MM
Nominal Capacity	100Ah
Nominal Voltage	48.1V
Chemistry	NMC
Warrantee	3 Years

APPLICATION

- Electric Rickshaw
- Electric Golf Cart
- Electric Loader

Extended Parking Mode- you get extended Parking Mode surveillance without ever drawing power from your vehicle's battery

Multiple protections: - Overcharge, Over-discharge, over load, short circuit, reverse polarity, over heat and battery under voltage

Lead-acid batteries last 100-300 cycles are a lot more typical while lithium-ion batteries will go 2000 cycles with no problem.



LiFePO4 Lithium Battery

MODEL NO	FEP48-100
WEIGHT	45Kg
DIMENSIONS	590 X280 X 220 MM
Nominal Capacity	100Ah
Nominal Voltage	48V
Chemistry	LiFePO4
Warranty	3 years

APPLICATION

- Electric Rickshaw
- Electric Golf Cart
- Electric Loader

Extended Parking Mode- you get extended Parking Mode surveillance without ever drawing power from your vehicle's battery

Multiple protections: - Overcharge, Over-discharge, over load, short circuit, reverse polarity, over heat and battery under voltage

Lead-acid batteries last 100-300 cycles are a lot more typical while lithium-ion batteries will go 2000 cycles with no problem.



NOTE: ALL THE MODEL OF BATTERY PACKS ARE CUSTOMIZED AS PER CUSTOMER'S REQUIREMENT

Batteries

ELECTRIC VEHICLES TWO WHEELERS

Electric Vehicle Battery Lithium-Ion Pack for EV

MODEL NO	FEP48.1-25
WEIGHT	8Kg
DIMENSIONS	185 X155 X 205 MM
Nominal Capacity	25Ah
Nominal Voltage	48.1V
Chemistry	NMC
Warranty	3 Years

APPLICATION

- Electric 2W (E-Bike, Scooty Etc.)

Extended Parking Mode- you get extended Parking Mode surveillance without ever drawing power from your vehicle's battery

Multiple protections: - Overcharge, Over-discharge, over load, short circuit, reverse polarity, over heat and battery under voltage

Lead-acid batteries last 100-300 cycles are a lot more typical while lithium-ion batteries will go 1000 cycles with no problem.



Lithium-Ion Battery

MODEL NO	FEP51.8-35
WEIGHT	12Kg
DIMENSIONS	185 X155 X 270 MM
Nominal Capacity	35Ah
Nominal Voltage	51.8V
Chemistry	NMC
Warranty	3 years

APPLICATION

- Electric 2W (E-Bike, Scooty Etc.)

Extended Parking Mode- you get extended Parking Mode surveillance without ever drawing power from your vehicle's battery

Multiple protections: - Overcharge, Over-discharge, over load, short circuit, reverse polarity, over heat and battery under voltage



Advanced Lithium NMC & LFP technology offers exceptional long life, high depth of discharge, safety & energy efficiency. Our products offer ideal value proposition for electric vehicle manufacturers & EV battery assemblers.

Lowest cost of ownership than traditional energy storage

Fast Charging in minutes for EVs

High Efficiency & Depth of Discharge

Long Service Life & Easy Maintenance

NOTE: ALL THE MODEL OF BATTERY PACKS ARE CUSTOMIZED AS PER CUSTOMER'S REQUIREMENT

Batteries

ELECTRIC VEHICLES TWO WHEELERS

Electric Vehicle Battery Lithium-Ion Pack for EV

MODEL NO	FEP62.9-25
WEIGHT	10.5Kg
DIMENSIONS	195X155 X 230 MM
Nominal Capacity	25Ah
Nominal Voltage	62.9V
Chemistry	NMC
Warranty	3 Years

APPLICATION

- Electric 2W (E-Bike, Scooty Etc.)

Extended Parking Mode- you get extended Parking Mode surveillance without ever drawing power from your vehicle's battery

Multiple protections: - Overcharge, Over-discharge, over load, short circuit, reverse polarity, over heat and battery under voltage

Lead-acid batteries last 100-300 cycles are a lot more typical while lithium-ion batteries will go 1000 cycles with no problem.



Lithium-Ion Battery

MODEL NO	FEP72-25
WEIGHT	12.5Kg
DIMENSIONS	300 X180 X 180 MM
Nominal Capacity	25Ah
Nominal Voltage	72V
Chemistry	NMC
Warranty	3 years

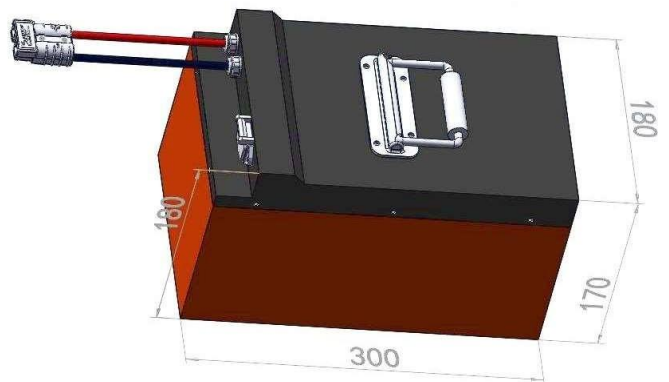
APPLICATION

- Electric 2W (E-Bike, Scooty Etc.)

Extended Parking Mode- you get extended Parking Mode surveillance without ever drawing power from your vehicle's battery

Multiple protections: - Overcharge, Over-discharge, over load, short circuit, reverse polarity, over heat and battery under voltage

Lead-acid batteries last 100-300 cycles are a lot more typical while lithium-ion batteries will go 2000 cycles with no problem.



NOTE: ALL THE MODEL OF BATTERY PACKS ARE CUSTOMIZED AS PER CUSTOMER'S REQUIREMENT

Batteries

ELECTRIC VEHICLES TWO WHEELERS

Electric Vehicle Battery Lithium-Ion Pack for EV

MODEL NO	FEP48-24
WEIGHT	12Kg
DIMENSIONS	180 X155 X 265 MM
Nominal Capacity	24Ah
Nominal Voltage	48V
Chemistry	LiFePO4
Warranty	3 Years

APPLICATION

- Electric 2W (E-Bike, Scooty Etc.)

Extended Parking Mode- you get extended Parking Mode surveillance without ever drawing power from your vehicle's battery

Multiple protections: - Overcharge, Over-discharge, over load, short circuit, reverse polarity, over heat and battery under voltage

Lead-acid batteries last 100-300 cycles are a lot more typical while lithium-ion batteries will go 1000 cycles with no problem.



LiFePO4 Lithium Battery

MODEL NO	FEP73.6-38.4
WEIGHT	22Kg
DIMENSIONS	230X155X450MM
Nominal Capacity	38.4Ah
Nominal Voltage	73.6V
Chemistry	LiFePO4
Warranty	3 years

APPLICATION

- Electric 2W (E-Bike, Scooty Etc.)

Extended Parking Mode- you get extended Parking Mode surveillance without ever drawing power from your vehicle's battery

Multiple protections: - Overcharge, Over-discharge, over load, short circuit, reverse polarity, over heat and battery under voltage

Lead-acid batteries last 100-300 cycles are a lot more typical while lithium-ion batteries will go 2000 cycles with no problem.



NOTE: ALL THE MODEL OF BATTERY PACKS ARE CUSTOMIZED AS PER CUSTOMER'S REQUIREMENT

Batteries

SOLAR BATTERIES

Prime & Premium Series

The specially designed Prime & Premium Series Solar batteries are C10 rated deep cycle batteries that provide a longer lasting power back up for your home. Prime & premium Series batteries comes with 3 years of warranty

Prime Plus & Premium Plus Series

Our specially designed Prime Plus & Premium Plus Series Solar batteries are C10 rated deep cycle batteries that last longer to power your home for longer hours. Prime Plus & Premium Plus Series batteries comes with 5 years of warranty

BIS certified solar battery

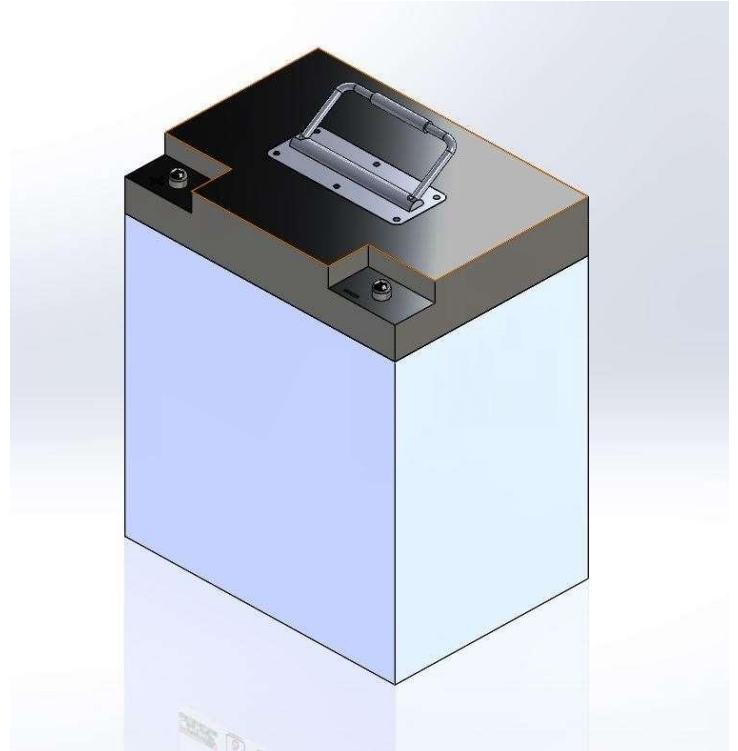
MODEL NO	FEP12.8-100
WEIGHT	12Kg
DIMENSIONS	210X145 X250MM
Nominal Capacity	100Ah
Nominal Voltage	12.8V
Chemistry	LiFePO4
Warranty	3 years

APPLICATION

- SOLAR INVERTER
- SOLAR STREET LIGHT
- SOLAR LANTERN

Multiple protections: - Overcharge, Over-discharge, over load, short circuit, reverse polarity, over heat and battery under voltage

Lead-acid batteries last 100-300 cycles are a lot more typical while lithium-ion batteries will go 2000 cycles with no problem.



Rechargeable Solar Lithium-Ion Battery Solar Pack

MODEL NO	FEP12.8-30
WEIGHT	3.5Kg
DIMENSIONS	165X135X75MM
Nominal Capacity	30Ah
Nominal Voltage	12.8V
Chemistry	LiFePO4
Warranty	3 years

APPLICATION

- SOLAR STREET LIGHT
- SOLAR LANTERN

Multiple protections: - Overcharge, Over-discharge, over load, short circuit, reverse polarity, over heat and battery under voltage



NOTE: ALL THE MODEL OF BATTERY PACKS ARE CUSTOMIZED AS PER CUSTOMER'S REQUIREMENT

Batteries

SOLAR BATTERIES

Rechargeable Lithium-Ion Battery

MODEL NO	FEP11.1-13
WEIGHT	0.8Kg
DIMENSIONS	100X60X70MM
Nominal Capacity	13Ah
Nominal Voltage	11.1V
Chemistry	NMC
Warranty	2 years

APPLICATION

- SOLAR STREET LIGHT
- SOLAR LANTERN
- AGRICULTURE EQUIPMENT

Multiple protections: - Overcharge, Over-discharge, over load, short circuit, reverse polarity, over heat and battery under voltage

Lead-acid batteries last 100-300 cycles are a lot more typical while lithium-ion batteries will go 1000 cycles with no problem.



Rechargeable Solar Lithium-Ion Battery Solar Pack

MODEL NO	FEP14.8-10.4
WEIGHT	0.9Kg
DIMENSIONS	80X75X70MM
Nominal Capacity	14.8Ah
Nominal Voltage	10.4V
Chemistry	NMC
Warranty	2 years

APPLICATION

- SOLAR STREET LIGHT
- SOLAR LANTERN
- AGRICULTURE EQUIPMENT

Multiple protections: - Overcharge, Over-discharge, over load, short circuit, reverse polarity, over heat and battery under voltage

Lead-acid batteries last 100-300 cycles are a lot more typical while lithium-ion batteries will go 1000 cycles with no problem.



NOTE: ALL THE MODEL OF BATTERY PACKS ARE CUSTOMIZED AS PER CUSTOMER'S REQUIREMENT

Batteries

MEDICAL EQUIPMENT

Rechargeable Lithium-Ion Battery

MODEL NO	FEP11.1-6.6
WEIGHT	0.6Kg
DIMENSIONS	60X40X70 MM
Nominal Capacity	6.6Ah
Nominal Voltage	11.1V
Chemistry	NMC
Warranty	2 years



APPLICATION

- VENTILATER
- OXYGEN CONCENTRATORS
- PATIENT MONITORING SYSTEMS

Multiple protections: - Overcharge, Over-discharge, over load, short circuit, reverse polarity, over heat and battery under voltage

Lead-acid batteries last 100-300 cycles are a lot more typical while lithium-ion batteries will go 1000 cycles with no problem.

Rechargeable Lithium-Ion Battery

MODEL NO	FEP11.1-10.4
WEIGHT	0.7Kg
DIMENSIONS	60X75 X70 MM
Nominal Capacity	10.4Ah
Nominal Voltage	11.1V
Chemistry	NMC
Warranty	2 years

APPLICATION

- VENTILATER
- OXYGEN CONCENTRATORS
- PATIENT MONITORING SYSTEMS

Multiple protections: - Overcharge, Over-discharge, over load, short circuit, reverse polarity, over heat and battery under voltage

Lead-acid batteries last 100-300 cycles are a lot more typical while lithium-ion batteries will go 1000 cycles with no problem.



NOTE: ALL THE MODEL OF BATTERY PACKS ARE CUSTOMIZED AS PER CUSTOMER'S REQUIREMENT

Batteries

WHEELCHAIRS

Rechargeable Lithium-Ion Battery

MODEL NO	FEP25.9-13
WEIGHT	2Kg
DIMENSIONS	135X95X70MM
Nominal Capacity	13Ah
Nominal Voltage	25.9V
Chemistry	NMC
Warranty	2 years

APPLICATION

- ELECTRIC WHEELCHAIRS

Multiple protections: - Overcharge, Over-discharge, over load, short circuit, reverse polarity, over heat and battery under voltage

Lead-acid batteries last 100-300 cycles are a lot more typical while lithium-ion batteries will go 1000 cycles with no problem.



Rechargeable Lithium-Ion Battery

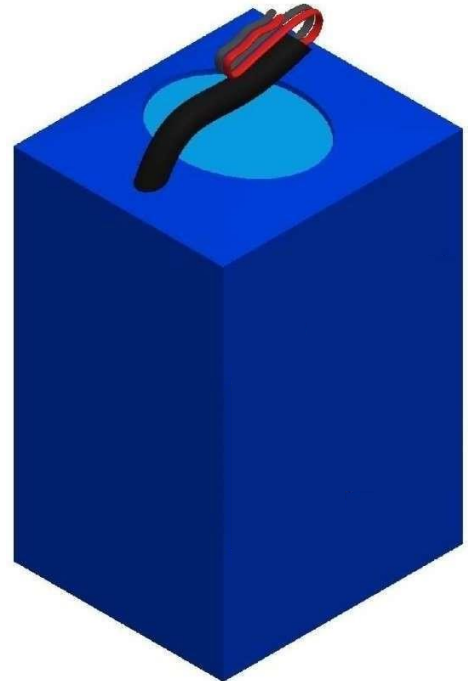
MODEL NO	FEP25.6-18
WEIGHT	4Kg
DIMENSIONS	260X100X80MM
Nominal Capacity	18Ah
Nominal Voltage	25.6V
Chemistry	LiFePO4
Warranty	2 years

APPLICATION

- ELECTRIC WHEELCHAIRS

Multiple protections: - Overcharge, Over-discharge, over load, short circuit, reverse polarity, over heat and battery under voltage

Lead-acid batteries last 100-300 cycles are a lot more typical while lithium-ion batteries will go 2000 cycles with no problem.



NOTE: ALL THE MODEL OF BATTERY PACKS ARE CUSTOMIZED AS PER CUSTOMER'S REQUIREMENT

Batteries

ELECTRIC cycle

Rechargeable Lithium-Ion Battery

MODEL NO	FEP36-10.4
WEIGHT	2.2Kg
DIMENSIONS	107X75X385MM
Nominal Capacity	10.4Ah
Nominal Voltage	36V
Chemistry	NMC
Warranty	2 years

APPLICATION

- ELECTRIC BICYCLE

Multiple protections: - Overcharge, Over-discharge, over load, short circuit, reverse polarity, over heat and battery under voltage

Lead-acid batteries last 100-300 cycles are a lot more typical while lithium-ion batteries will go 1000 cycles with no problem.



Rechargeable Lithium-Ion Battery

MODEL NO	FEP48-13
WEIGHT	3Kg
DIMENSIONS	95X410MM
Nominal Capacity	13Ah
Nominal Voltage	25.6V
Chemistry	Li-Ion
Warranty	2 years

APPLICATION

- ELECTRIC BICYCLE

Multiple protections: - Overcharge, Over-discharge, over load, short circuit, reverse polarity, over heat and battery under voltage

Lead-acid batteries last 100-300 cycles are a lot more typical while lithium-ion batteries will go 2000 cycles with no problem.



NOTE: ALL THE MODEL OF BATTERY PACKS ARE CUSTOMIZED AS PER CUSTOMER'S REQUIREMENT

Batteries

Robotics

Rechargeable Lithium-Ion Battery

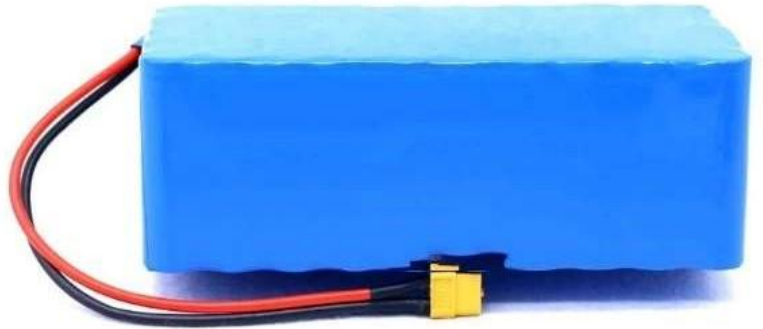
MODEL NO	FEP25.9-60
WEIGHT	11Kg
DIMENSIONS	260X130X210MM
Nominal Capacity	60Ah
Nominal Voltage	25.9V
Chemistry	NMC
Warranty	2 years

APPLICATION

- AUTOMETIC GUIDED VECHILES
- ROBOTIC MACHINES

Multiple protections: - Overcharge, Over-discharge, over load, short circuit, reverse polarity, over heat and battery under voltage

Lead-acid batteries last 100-300 cycles are a lot more typical while lithium-ion batteries will go 1000 cycles with no problem.



Rechargeable Lithium-Ion Battery

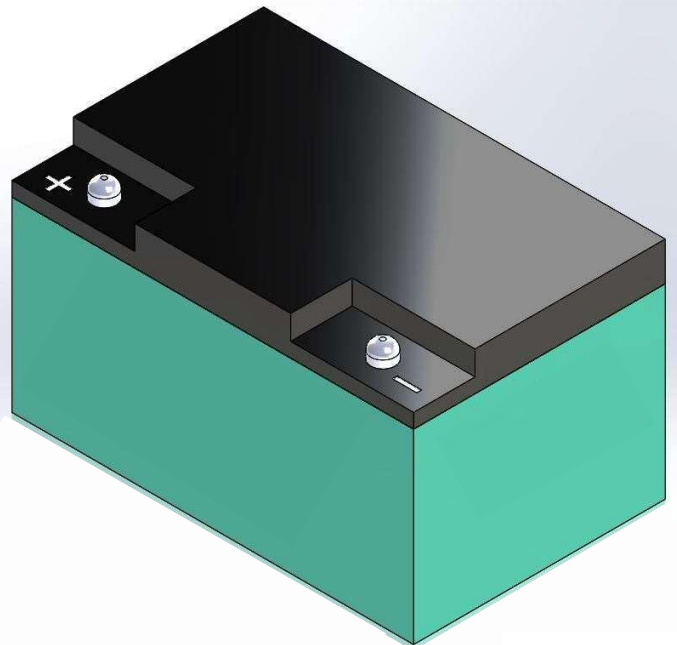
MODEL NO	FEP48.1-75
WEIGHT	24Kg
DIMENSIONS	460X290X165MM
Nominal Capacity	75Ah
Nominal Voltage	48.1V
Chemistry	NMC
Warranty	3 years

APPLICATION

- AUTOMETIC GUIDED VECHILES
- ROBOTIC MACHINES

Multiple protections: - Overcharge, Over-discharge, over load, short circuit, reverse polarity, over heat and battery under voltage

Lead-acid batteries last 100-300 cycles are a lot more typical while lithium-ion batteries will go 1000 cycles with no problem.



NOTE: ALL THE MODEL OF BATTERY PACKE ARE CUSTOMIZED AS PER CUSTOMER'S REQUIREMENT

Batteries

DRONES

Rechargeable Lithium-Ion Battery

MODEL NO	FEP22.2-10
WEIGHT	1Kg
DIMENSIONS	150X77X68MM
Nominal Capacity	10Ah
Nominal Voltage	22.2V
Chemistry	NMC
Warranty	1 years

APPLICATION

- DRONES



Lead-acid batteries last 100-300 cycles are a lot more typical while lithium-ion batteries will go 600 cycles with no problem.

Multiple protections: - Overcharge, Over-discharge, over load, short circuit, reverse polarity, over heat and battery under voltage

Rechargeable Lithium-Ion Battery

MODEL NO	FEP11.1-5.2
WEIGHT	0.5Kg
DIMENSIONS	75X40X68MM
Nominal Capacity	5.2Ah
Nominal Voltage	11.1V
Chemistry	NMC
Warranty	1 years

APPLICATION

- DRONES



Multiple protections: - Overcharge, Over-discharge, over load, short circuit, reverse polarity, over heat and battery under voltage

Lead-acid batteries last 100-300 cycles are a lot more typical while lithium-ion batteries will go 600 cycles with no problem.

NOTE: ALL THE MODEL OF BATTERY PACKE ARE CUSTOMIZED AS PER CUSTOMER'S REQUIREMENT

Batteries

ENERGY STORAGE SYSTEM

Lithium Power has developed many solutions for energy storage applications. Most of the applications are solar-powered. All of applications utilize our battery management technology to meet unique power requirements from small to large capacities. The strength of our outdoor renewable energy storage solution is that we fully integrate the solar panel, MPPT and inverter with our battery management system. We can accommodate harsh outdoor environmental factors like cold and hot temperature fluctuations, condensation and rain, wind and dust, and resilience to shock/vibration during transportation.

Rechargeable Lithium-Ion Battery

MODEL NO	FEP48-200
WEIGHT	90Kg
DIMENSIONS	1000X530X220MM
Nominal Capacity	200Ah
Nominal Voltage	48V
Chemistry	LiFePO4
Warranty	3 years

APPLICATION

- TELECOM



Multiple protections: - Overcharge, Over-discharge, over load, short circuit, reverse polarity, over heat and battery under voltage

Smart BMS with CAN communication & BLE

With smart Monitoring SOFTWARE for mobile & computer

Rechargeable Lithium-Ion Battery

MODEL NO	FEP48-100
WEIGHT	45Kg
DIMENSIONS	590 X280 X 220 MM
Nominal Capacity	100Ah
Nominal Voltage	48V
Chemistry	LiFePO4
Warranty	3 years

APPLICATION

- TELECOM



Multiple protections: - Overcharge, Over-discharge, over load, short circuit, reverse polarity, over heat and battery under voltage

Smart BMS with CAN communication & BLE

Compatible with most available hybrid inverter

With state-of-the-art power conversion and energy storage technologies, Energy Storage System (ESS) offers high-efficiency power conditioning capabilities for demand management, power dispatch, renewable energy smoothing, etc. The ESS integrates bi-directional power conditioning and battery devices, site controllers, and a cloud management system to provide comprehensive energy storage for residential, commercial and utility applications. Our Li-ion battery portfolio covers cells, modules (24V, 48V), cabinets (indoor/outdoor) and containers, which offer customers excellent scalability and adaptability to a wide variety of requirements. Customized pack design is also available upon request.

NOTE: ALL THE MODEL OF BATTERY PACKS ARE CUSTOMIZED AS PER CUSTOMER'S REQUIREMENT

Batteries

Home Lighting & Industrial Lighting

Home LithiumLiFePO4 Battery

MODEL NO	FEP25.6-100
WEIGHT	20Kg
DIMENSIONS	300X280X 220 MM
Nominal Capacity	100Ah
Nominal Voltage	25.6V
Chemistry	LiFePO4
Warranty	3 years

APPLICATION

- HOME INVERTERS
- HYBRID INVERTERS
- SOLAR INVERTERS

Multiple protections: - Overcharge, Over-discharge, over load, short circuit, reverse polarity, over heat and battery under voltage

Lead-acid batteries last 100-300 cycles are a lot more typical while lithium-ion batteries will go 2000 cycles with no problem.



Home LithiumLiFePO4 Battery

MODEL NO	FEP48-80
WEIGHT	40Kg
DIMENSIONS	480X280X220MM
Nominal Capacity	80Ah
Nominal Voltage	48V
Chemistry	LiFePO4
Warranty	3 years

APPLICATION

- HOME INVERTERS
- HYBRID INVERTERS
- SOLAR INVERTERS

Multiple protections: - Overcharge, Over-discharge, over load, short circuit, reverse polarity, over heat and battery under voltageC

Lead-acid batteries last 100-300 cycles are a lot more typical while lithium-ion batteries will go 2000 cycles with no problem.



NOTE: ALL THE MODEL OF BATTERY PACKS ARE CUSTOMIZED AS PER CUSTOMER'S REQUIREMENT

FRIEMO EV POWER

C-74, Ground Floor, Sector 10, Noida
Uttar Pradesh 201301

+91 9810075168

Factory location: (I) C-109, Sector 10, Noida